



Positive Temperature Coefficient (PTC) Heater Temperature Control Without a Thermostat



Waukesha® Positive Temperature Coefficient heaters can improve the reliability, efficiency and operational life of electrical equipment by automatically maintaining an enclosure temperature only slightly higher than the outside ambient temperature without using a thermostat or controls.

Eliminate Thermostat Problems

Our PTC heaters use a variable resistance (current limiting) material that automatically controls cabinet temperature and eliminates the need for a thermostat, increasing heater reliability and efficiency.

Prevent Heat Damage and Condensation

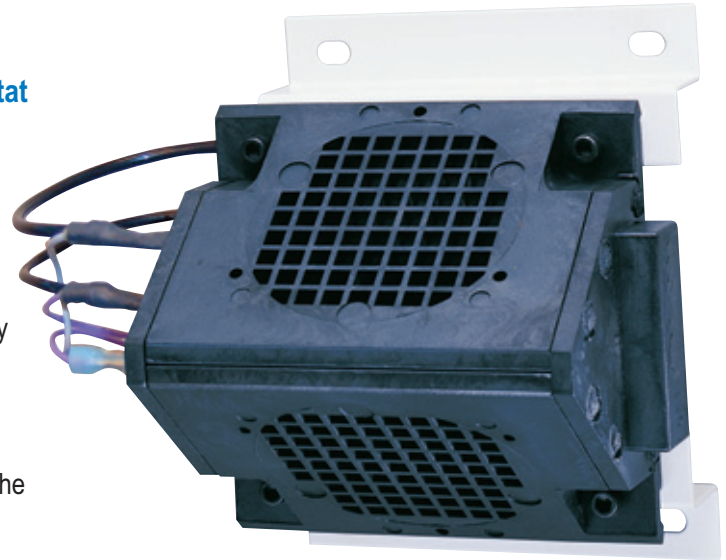
During cold weather when significant heat is required to reach the thermostat setting, a traditional strip heater is likely to drive the temperature of the area around the heater well above desirable levels. This can result in uneven heat distribution in the control box. Waukesha Electric Systems' PTC heaters feature an integral circulating fan that moves warm air around the cabinet, maintaining even heat distribution and providing uniform condensation protection.

Increase Safety

Our PTC heater element operates at a relatively low temperature of 104°–106° F (50° C). Because of this typically lower operating temperature (as compared to that of a conventional strip heater), equipment will not overheat on hot days and the risk of burns to maintenance personnel is reduced.

Install Quickly

The electrical connections from the fan to the heater are pre-wired, so the only connection necessary is to provide power to the assembly; our PTC heater includes a 12 foot long wire harness for easy connection. An integral mounting bracket allows for quick orientation in cabinet for proper air circulation.



PTC heaters are available in the following configurations:

- 50 Watt, 120V panel mount convection
- 200 Watt, 120V fan forced
- 200 Watt, 240V fan forced
- 400 Watt, 120V fan forced
- 400 Watt, 240V fan forced



SEE BACK SIDE FOR
PART NUMBER
CONFIGURATION TOOL.

Other Features

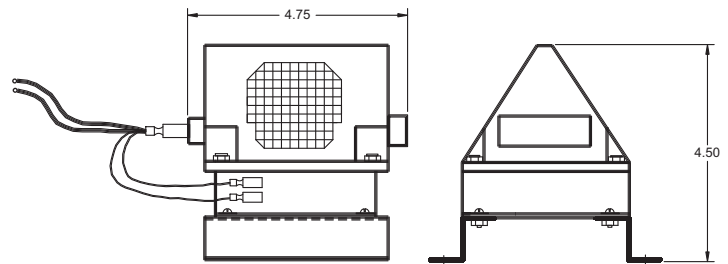
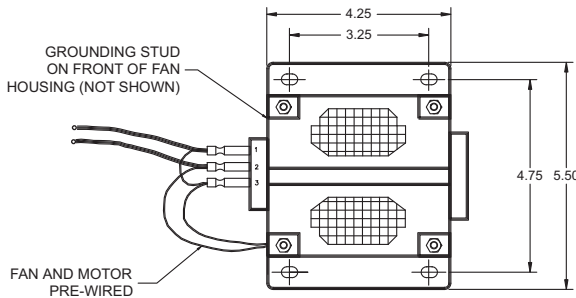
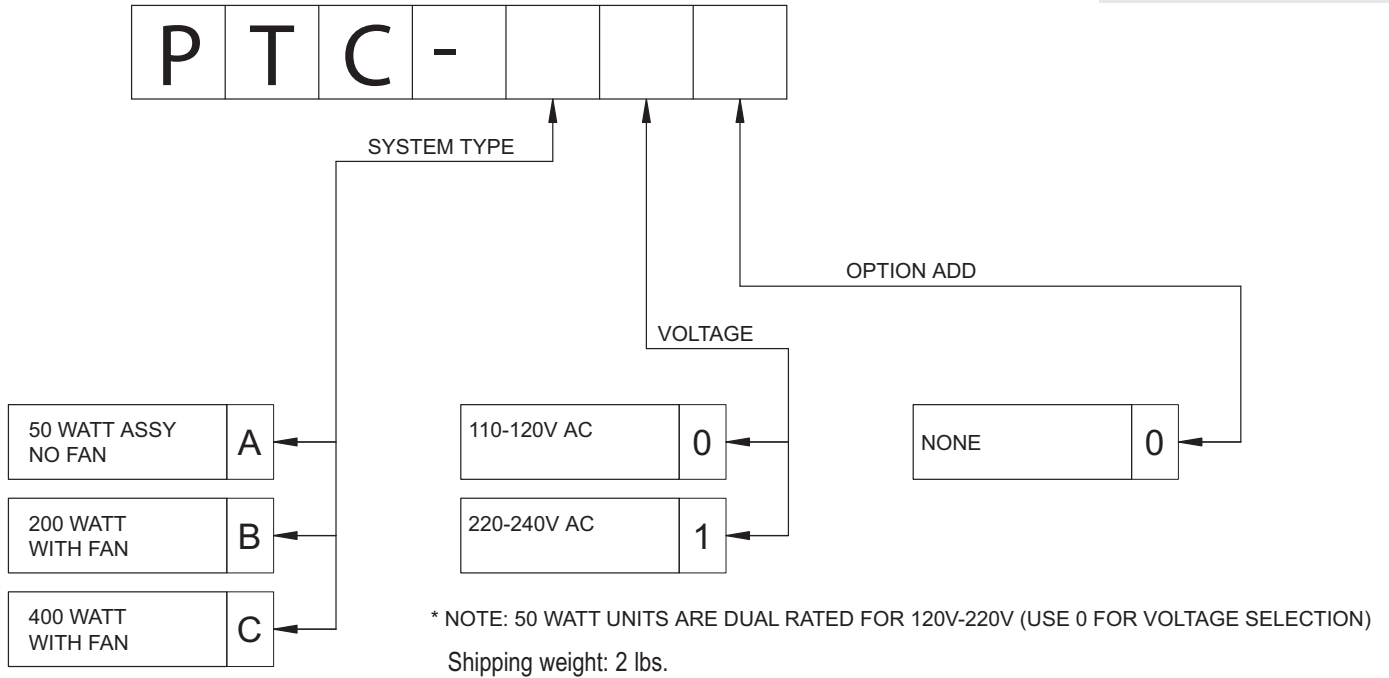
- Virtually Unlimited Life
- Economical
- Energy Efficient—Low Power Consumption
- No Electrical Noise
- Improved Reliability vs. Strip Heaters
- Low Profile—Compact Size

Build Your Own Part Number Using Configuration Below:

For More Information

call 800-338-5526

e-mail HVSinfo@waukesha.spx.com



HEATER OUTPUT

| Ambient Temperature (°C) | Ambient Temperature (°F) | Wattage* |
|--------------------------|--------------------------|----------|
| -41 | -41 | 190 |
| -7 | 20 | 142 |
| 26 | 79 | 92 |
| 48 | 119 | 65 |

* Typical wattage output for 200 watt element.

SPECIFYING TABLE

| Box Size (in.) | Operating Temperature (°C) | Number of Heaters (200 watt rating) |
|----------------|----------------------------|-------------------------------------|
| 40 x 39 x 18 | -20 to +50 | 1 |
| | -50 to +50 | 2 |
| 48 x 60 x 10 | -20 to +50 | 1 |
| | -50 to +50 | 2 |
| 48 x 60 x 18 | -20 to +50 | 1 |
| | -50 to +50 | 2 |
| 48 x 60 x 24 | -20 to +50 | 1 |
| | -50 to +50 | 2 |
| 48 x 36 x 12 | -20 to +50 | 1 |
| | -50 to +50 | 2 |
| 56 x 80 x 24 | -20 to +50 | 1 |
| | -50 to +50 | 2 |



9011 Governors Row
 Dallas, TX 75247
800-338-5526

www.HighVoltageSupply.com

Positive Temperature Coefficient (PTC) heaters are manufactured and distributed by High Voltage Supply, a division of Waukesha Electric Systems, Inc.

To continually improve its products and services, Waukesha Electric Systems reserves the right to change specifications and features without notice. Please contact HVS for certified dimensions and drawings.